

Volkswagen T5 / T6 (UK Right hand drive)

Driver Single Swivel Fitting guide

Kit includes

- 2 Num: M8 x 40 Countersunk bolts
- 4 Num: M8 x 20 Countersunk bolts
- 4 Num: M8 Nyloc nuts
- 2 x Spacers (attached with 2 x M8 x 12 bolts & washers at front)
- Certificate of safety

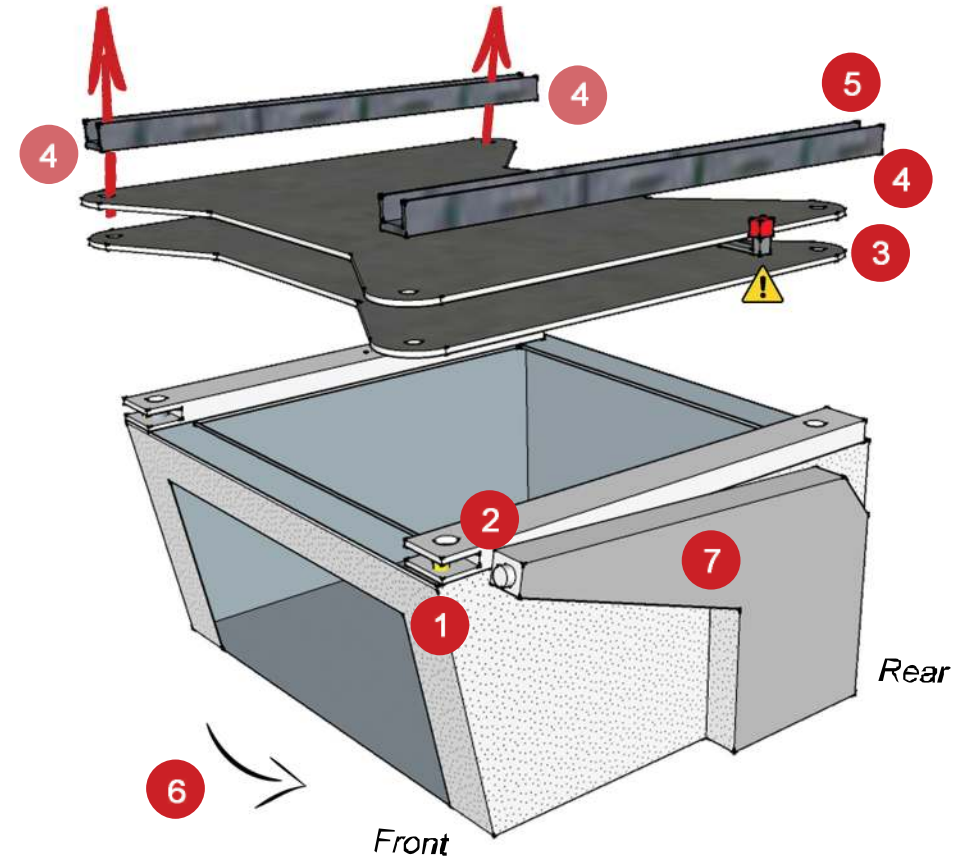
Installation

Tip: Apply loc-tite to each bolt to prevent loosening over time

⚠ Lever is located in centre of van

1. Original captive bolts in seat base and original nuts.
2. M8 x 12 bolts & washers (pre-attached).
3. M8 x 40mm countersunk bolts down through lower plate & spacer to original nuts.
4. M8 x 20mm bolts & nuts up through top plate & seat slides to M8 Nyloc nuts.
5. Original T5 sliders
6. Seat rotates counter-clockwise
7. Optional handbrake cloth cover available.

CBT013RG2 (+ C=central, + GB= Right hand drive)



TIPS

- Before fitting:** Swivel may not spin easily, this is because the grease on the mechanism can be quite sticky when new. Bolt the swivel to the seat base first and then you will be able to rotate it.
- Height adjustable seats?** Raise the seat up to prevent the seat trim plastics catching on the swivel during rotation. If you tend to sit with the seat down low you may need to cut off some of the trim to make space for the release lever.
- In use:** Do not sit on the seat while rotating. To pass the steering wheel, slide the seat forwards & backwards as it rotates. Your seat will rock a little now as it is attached in the centre rather than at all 4 corners - but it should not rattle.
- Safety:** Only drive with the seat facing forwards and locked into position.
- Certification:** All RIB swivels have been tested in-vehicle & approved by TUV.